

GAS METERS**Diaphragm type**

- Technical performance to OIML-R31 Standard
- -20°C to 55°C working range
- Pressure range:
 - G4: 0.5 - 50Kpa [50 - 500Mbar]
 - G6 - G25: 0.5 - 30Kpa [50 - 300Mbar]
- Low pressure drop
- Digital display: 8 digits
- Pulsed output as standard
- IP rating: 65
- Accuracy: $\pm 1.5\%$ in normal flow range
- Corrosion resistant measuring chamber
- For use with natural, LPG or methane gas

**Delta Flowtech****TECHNICAL DATA**

Size mm [in]	Part No.	Flow range [m ³ /h]			Pressure drop [maximum] [Kpa]	Pulse value [per pulse]
		Qmax	Nominal	Qmin		
Dn20 [¾]	DGMD20PO-G4	6	4	0.04	50	100 ltr
Dn25 [1]	DGMD25PO-G6	10	6	0.06		
Dn32 [1¼]	DGMD32PO-G10	16	10	0.10		
Dn38 [1½]	DGMD38PO-G16	25	16	0.16		
Dn50 [2]	DGMD50PO-G25	40	25	0.25		

TERMS OF REFERENCE:

Flow Range (m³/h) - Minimum to maximum accurate flow range.

Pressure drop [maximum] - Greatest potential system loss

Pulse value - Measurement volume to BMS [Building Management System]

Accuracy class - To OIMLR 31 Standard

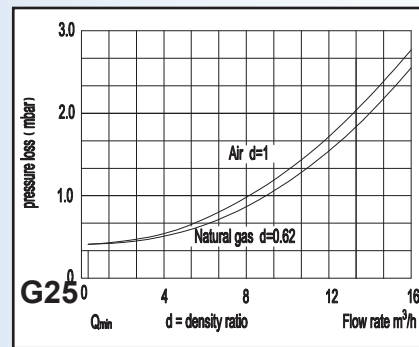
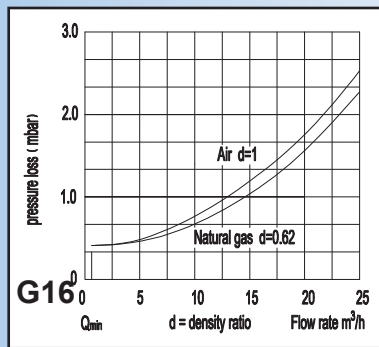
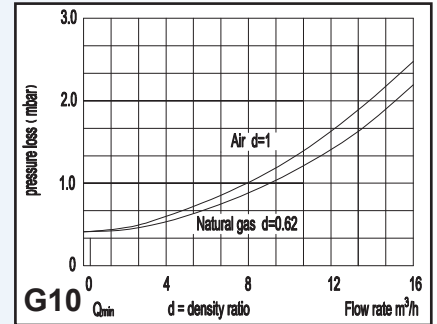
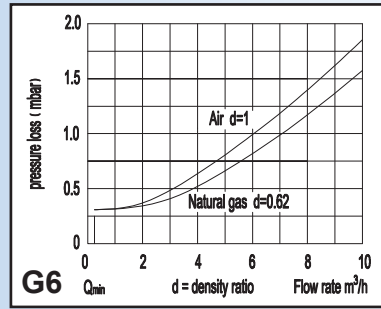
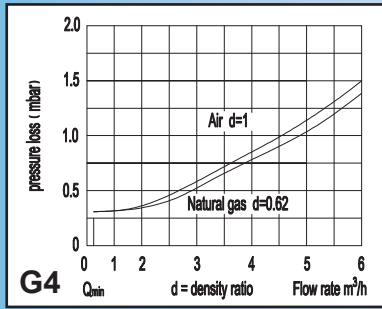
Delta Flowtech

Tel: 0845 862 5553 | Fax: 0845 862 5554 | Email: info@deltaflowtech.com | W: www.deltaflowtech.com

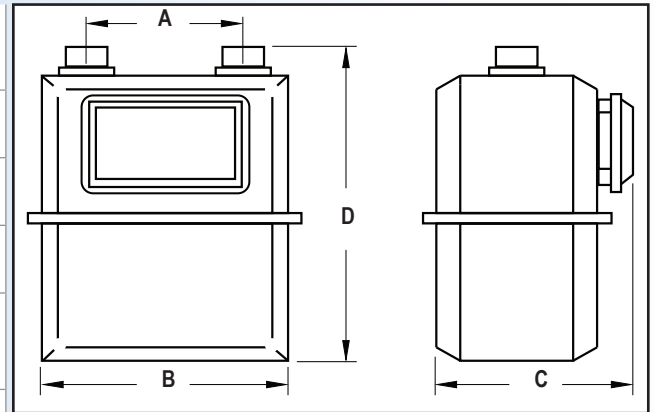
GAS METERS Diaphragm type continued



Delta Flowtech



Pipe Ø [mm/BSP] [dens/inch]	Part No.	Coupling [BSP male]	A	B	C	D	Wt [kg]
20 / ¾" [11]	DGMD20PO-G4	1"	130	205	160	228	1.9
25 / 1" [11]	DGMD25PO-G6	1¼"	180	276	202	282	3.8
30 / 1¼" [11]	DGMD30PO-G10	1½"	250	350	202	311	4.2
40 / 1½" [11]	DGMD40PO-G16	2"	280	405	275	375	8.0
50 / 2" [11]	DGMD50PO-G25	2½"	335	465	275	375	8.5



NOTES:

COUPLING - male threaded union supplied

Dimensions in mm

All sizes are approximate and are given for guidance only.
Products and specifications may be subject to change from those shown without notice.

Rel: 02/12

Delta Flowtech

Tel: 0845 862 5553 | Fax: 0845 862 5554 | Email: info@deltaflowtech.com | W: www.deltaflowtech.com